

Our Technical Diagrams

On the following pages you will find the technical diagrams for our products. The dimensions are always stated in millimetres. Please note that the diagrams are not to scale.

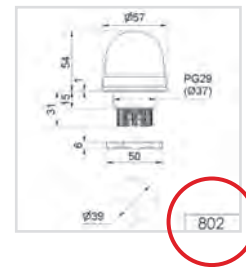
Reference on the product page

In order to be able to find the technical diagrams for your desired product even more quickly, there is a reference on the relevant product page stating the page number for the corresponding diagram located in the "Technical diagrams" section



Layout of the technical diagrams

The technical diagrams are in numerical order of the first three digits of the article number.



Technical diagrams for accessories

The technical diagrams for our extensive accessories are in numerical order of the full article number (from page 294 onwards).



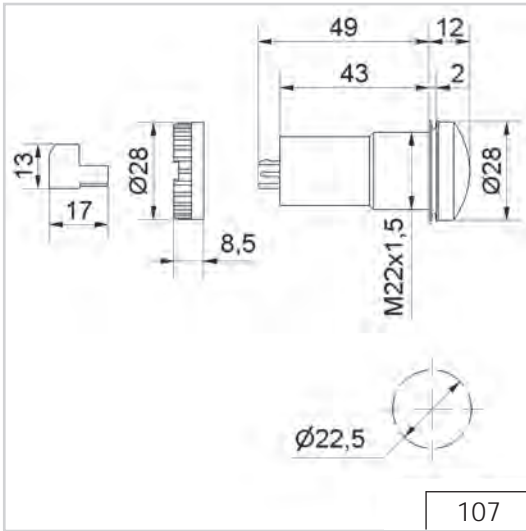
Digital data

You are welcome to request the technical diagrams in digital form. The relevant 3D models, instruction leaflets and connection diagrams can be obtained from us or downloaded from our homepage at any time.

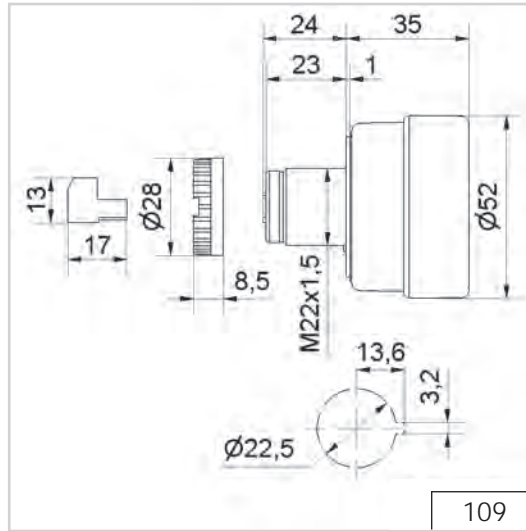
Select the required product or search with the aid of the part number, go to "downloads" and click on "drawing" and save the file.



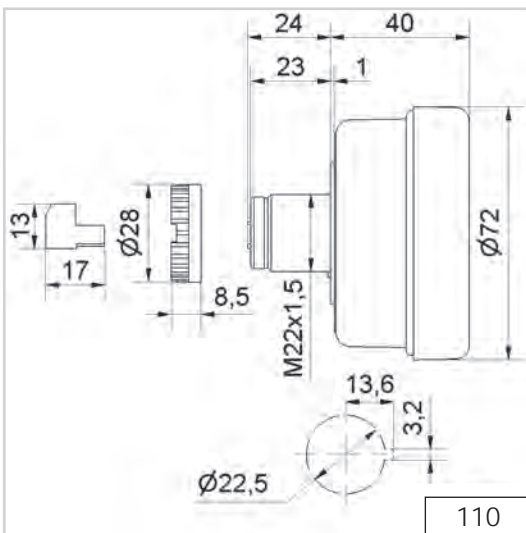
Technical Diagrams



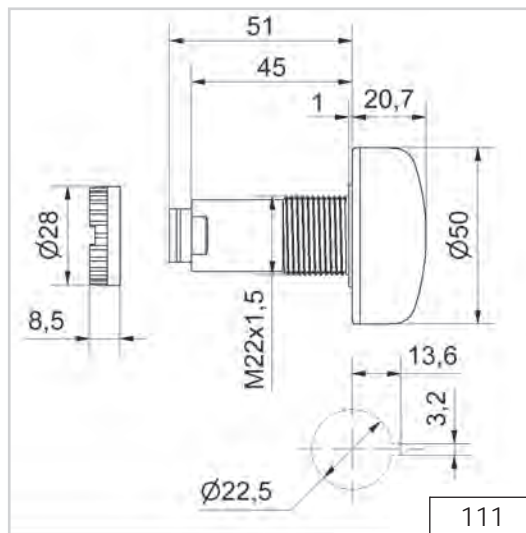
107



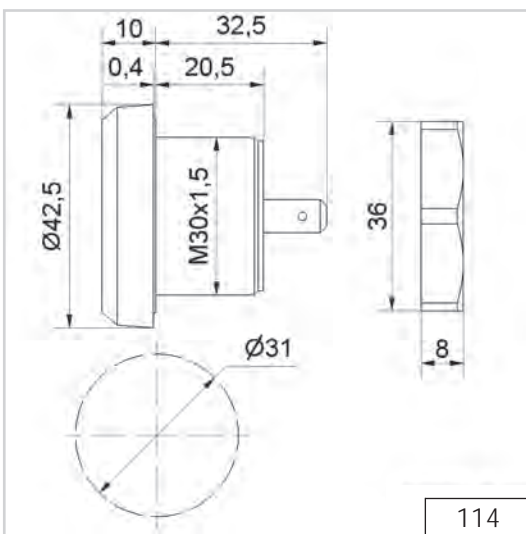
109



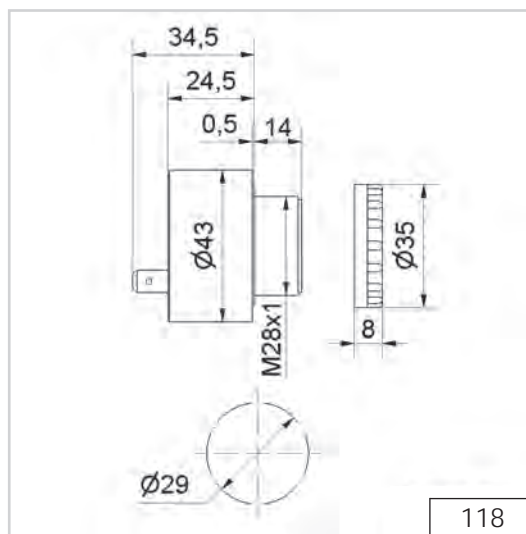
110



111



114



118

Technical Diagrams